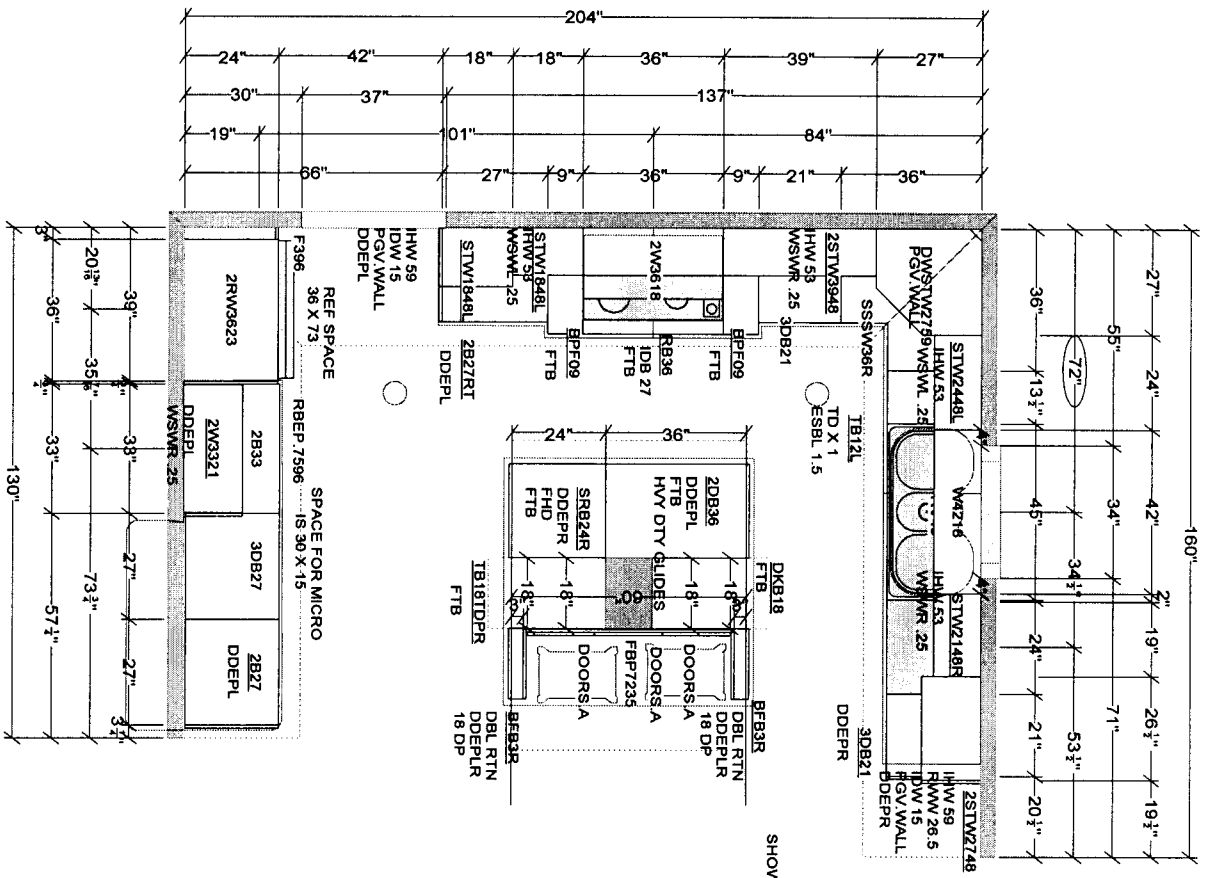


PLEASE CONFIRM THE WALL HEIGHT AND WIDTH AND HOW FAR IT IS OFF THE FLOOR TO MAKE SURE THAT THE WALL UNIT WILL WORK.



PROJECT 11647
 JOB NAME SAMMET KITCHEN
 PC196L
 FLAT96
 TB196
 SFM96R
 SBM96R
 TUKIT
 10' CEILING
 ** PLEASE CONFIRM ALL WALL DIMENSIONS **
 REV 2
 1" REVEAL ON WALLS AND TALLS
 SHOW22
 SHOW22A

All dimensions size designations given are subject to verification on job site and adjustment to fit job conditions. ~ KM ~



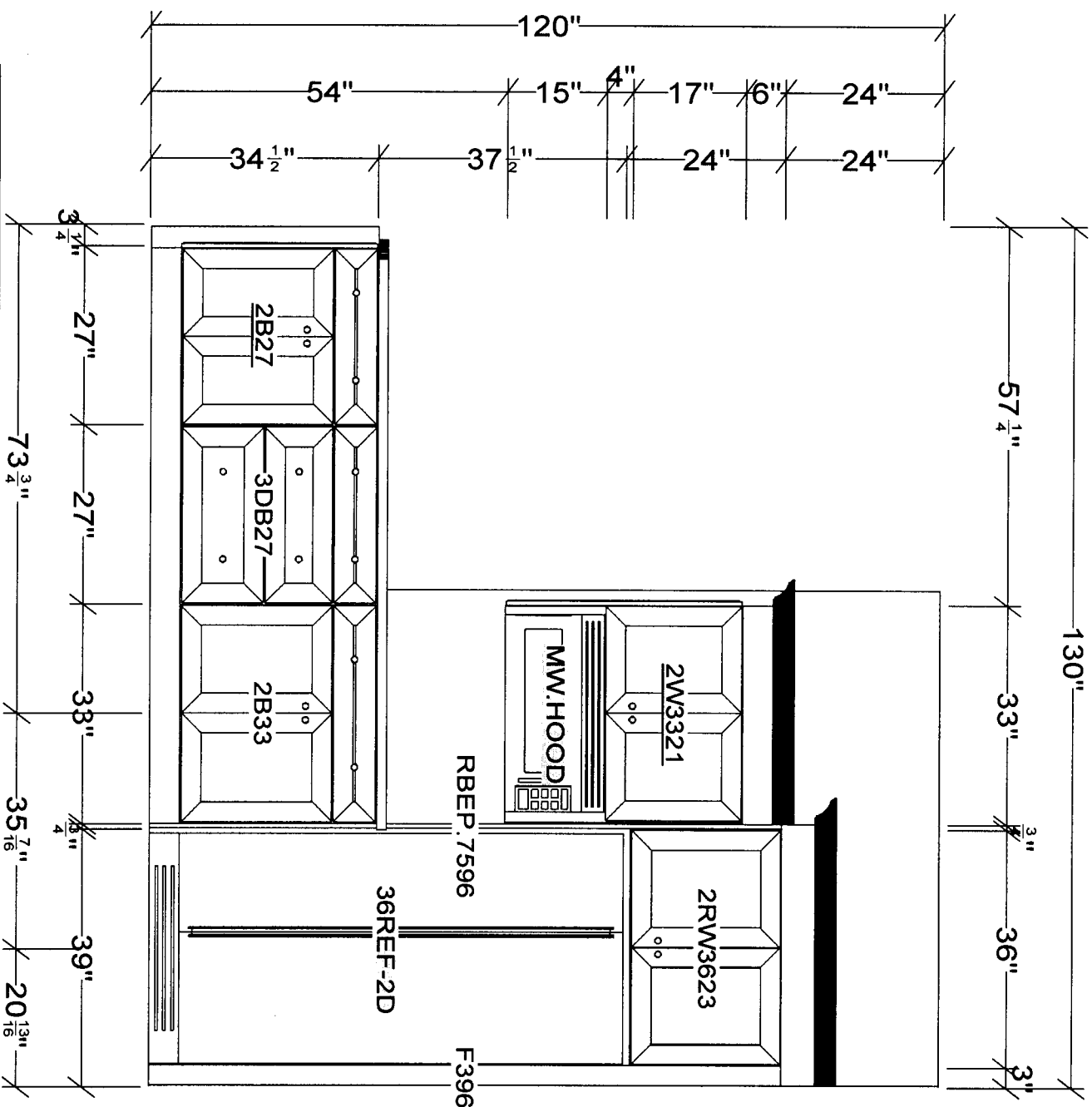
This is an original design and must not be released or copied unless applicable fee has been paid or job order placed. ~ KM ~

SAMMET KITCHEN REV 2.kit

All

Drawing #: 1 No Scale.

Designed: 10/17/2012
 Printed: 10/22/2012



All dimensions size designations given are subject to verification on job site and adjustment to fit job conditions. ~ KM ~



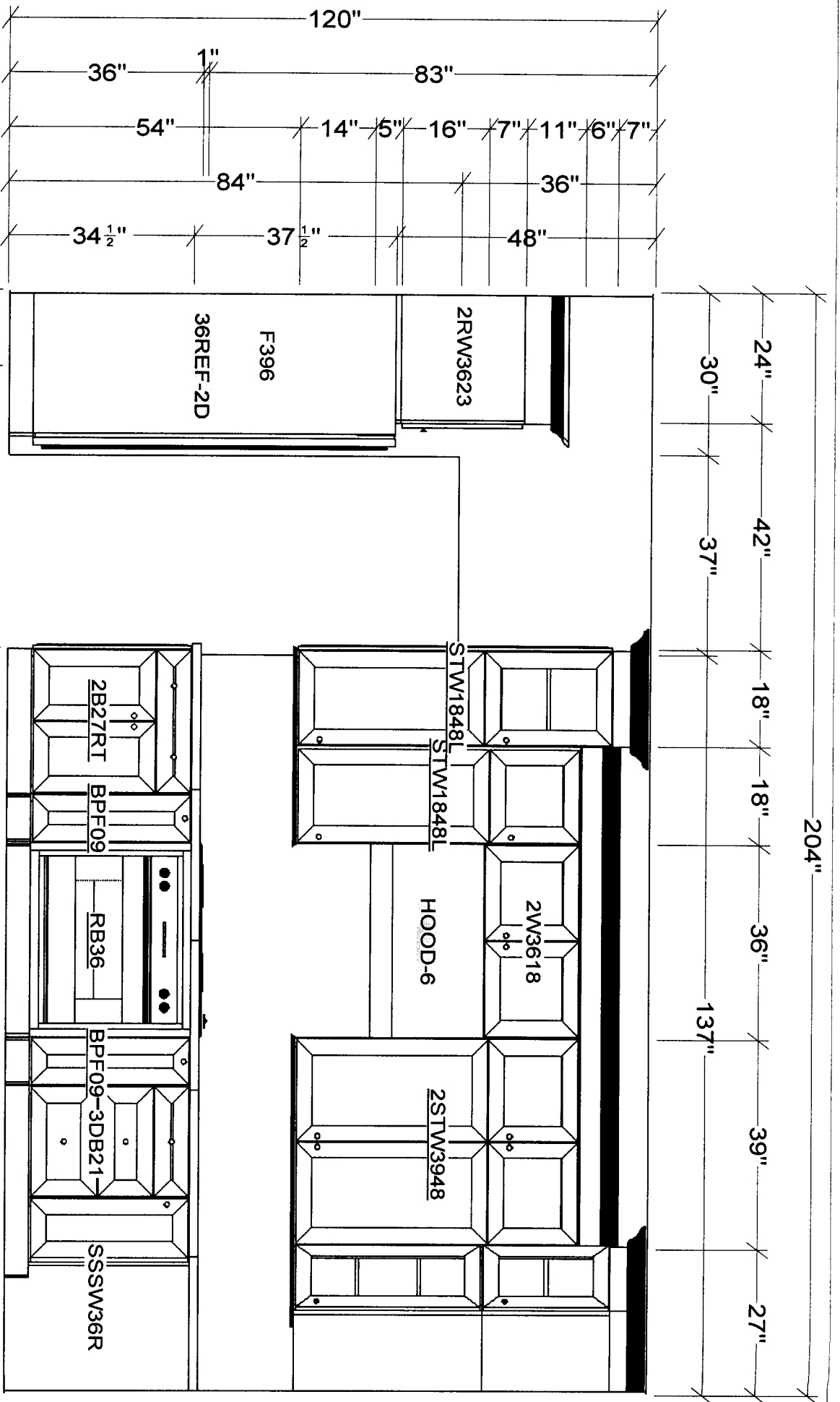
This is an original design and must not be released or copied unless applicable fee has been paid or job order placed. ~ KM ~

Designed: 10/17/2012
Printed: 10/22/2012

SAMMET KITCHEN REV 2.kit

EI 1/1

Drawing #: 1 No Scale.



All dimensions, size designations given are subject to verification on job site and adjustment to fit job conditions. ~ KM ~



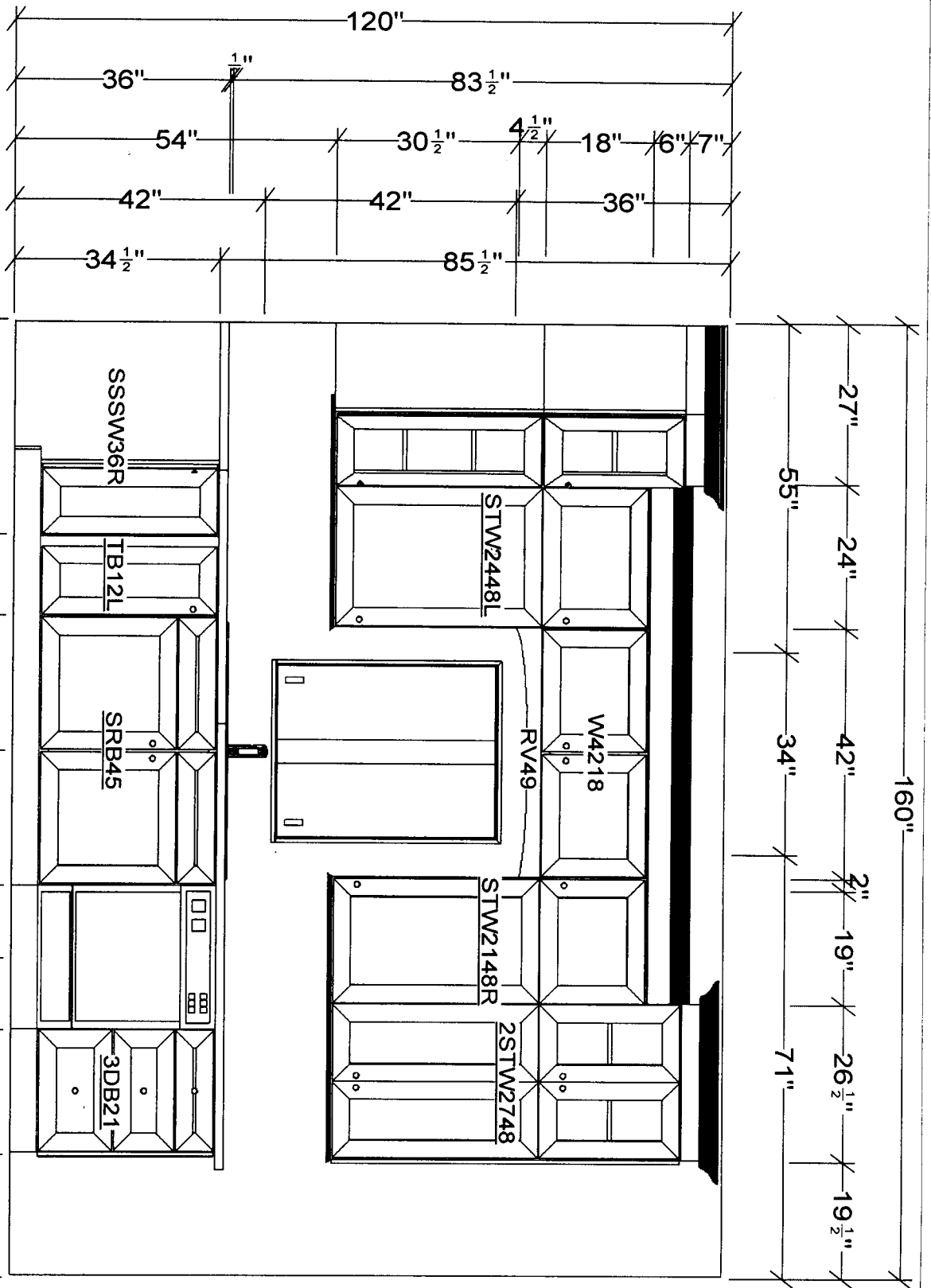
This is an original design and must not be released or copied unless applicable fee has been paid or job order placed. ~ KM ~

Designed: 10/17/2012
Printed: 10/22/2012

SAMMET KITCHEN REV 2.kit

E1 (V1)

Drawing #: 1 No Scale.



All dimensions size designations given are subject to verification on job site and adjustment to fit job conditions. ~ KM ~



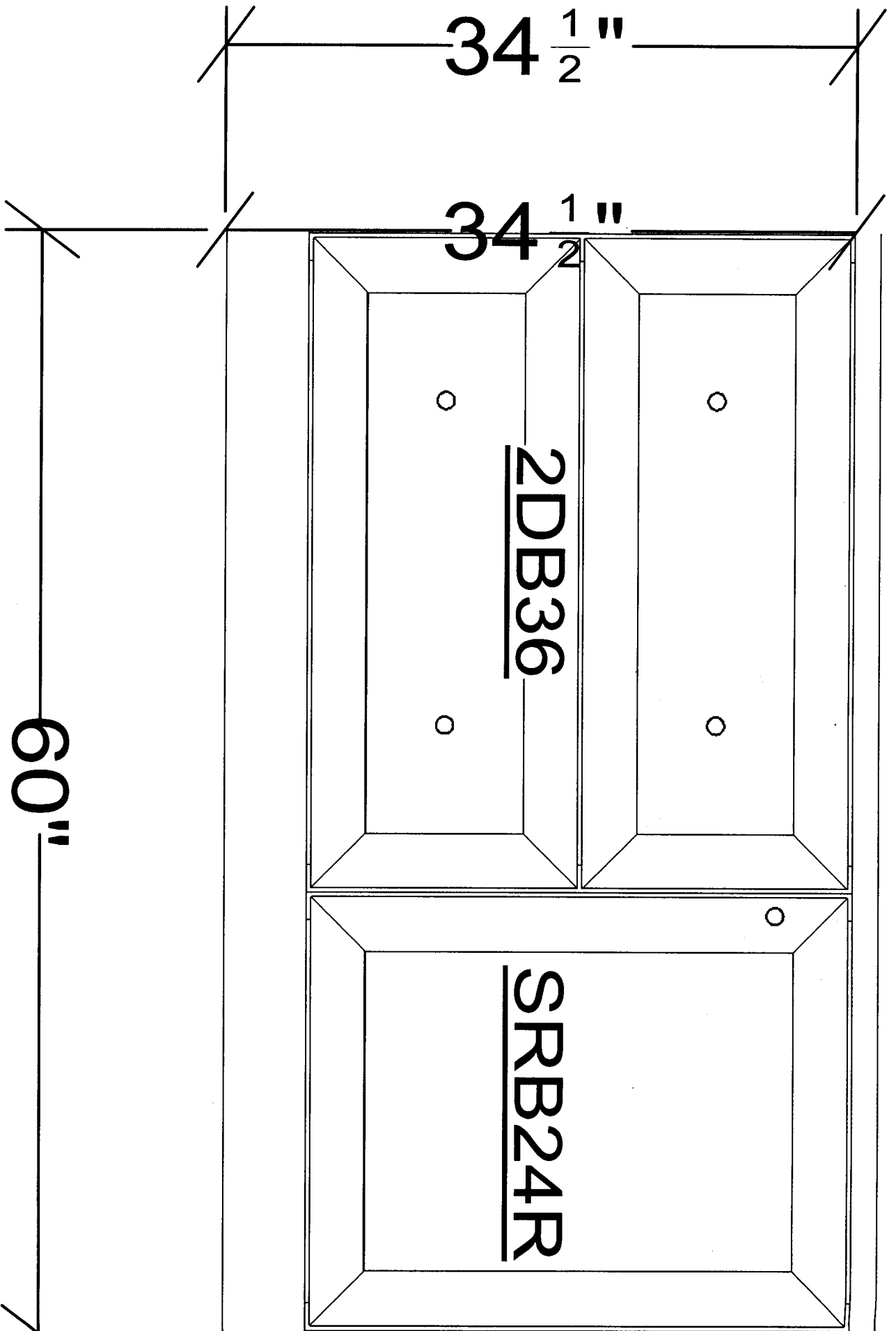
This is an original design and must not be released or copied unless applicable fee has been paid or job order placed. ~ KM ~

Designed: 10/17/2012
Printed: 10/22/2012

SAMMET KITCHEN REV 2.kit

EI 1/1

Drawing #: 1 No Scale.



All dimensions size designations given are subject to verification on job site and adjustment to fit job conditions. ~ KM ~



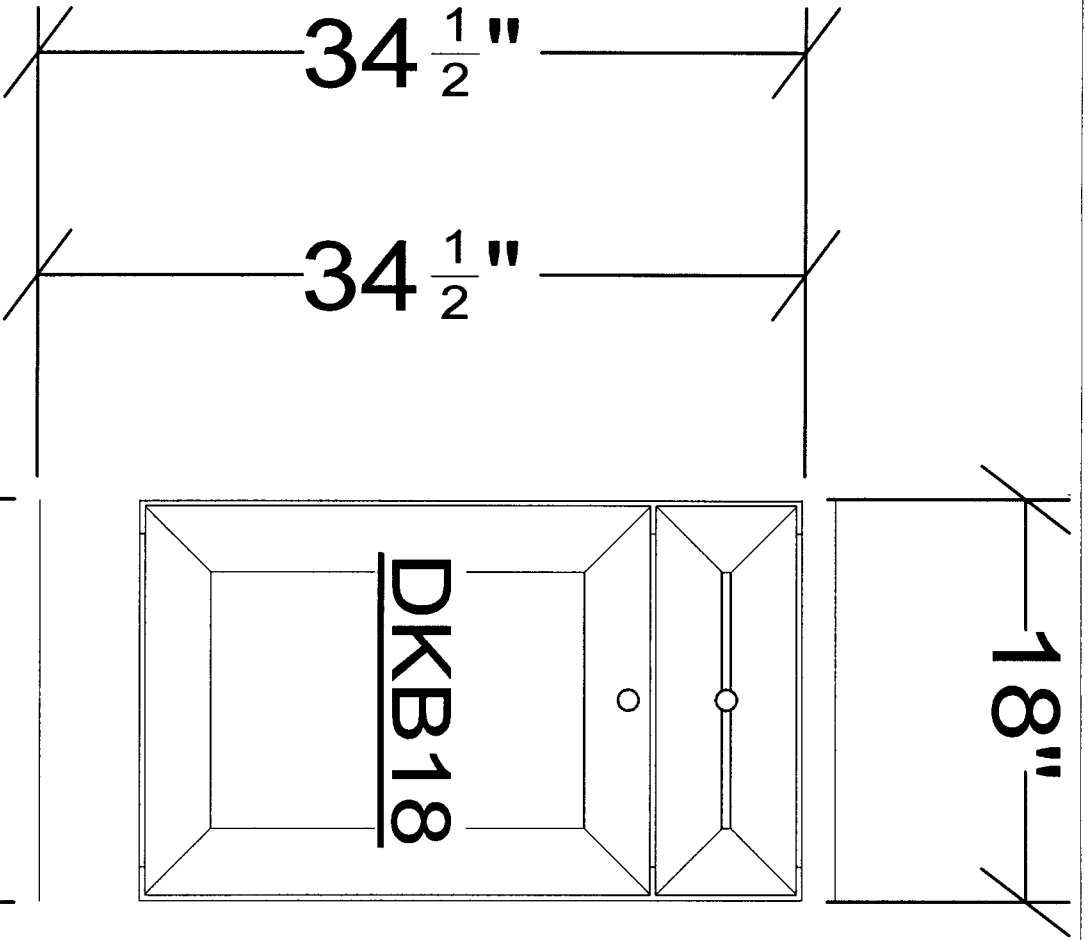
This is an original design and must not be released or copied unless applicable fee has been paid or job order placed. ~ KM ~

Designed: 10/17/2012
Printed: 10/22/2012

SAMMET KITCHEN REV 2.kit

EI 1VI

Drawing #: 1 No Scale.



All dimensions size designations given are subject to verification on job site and adjustment to fit job conditions. ~ KM ~



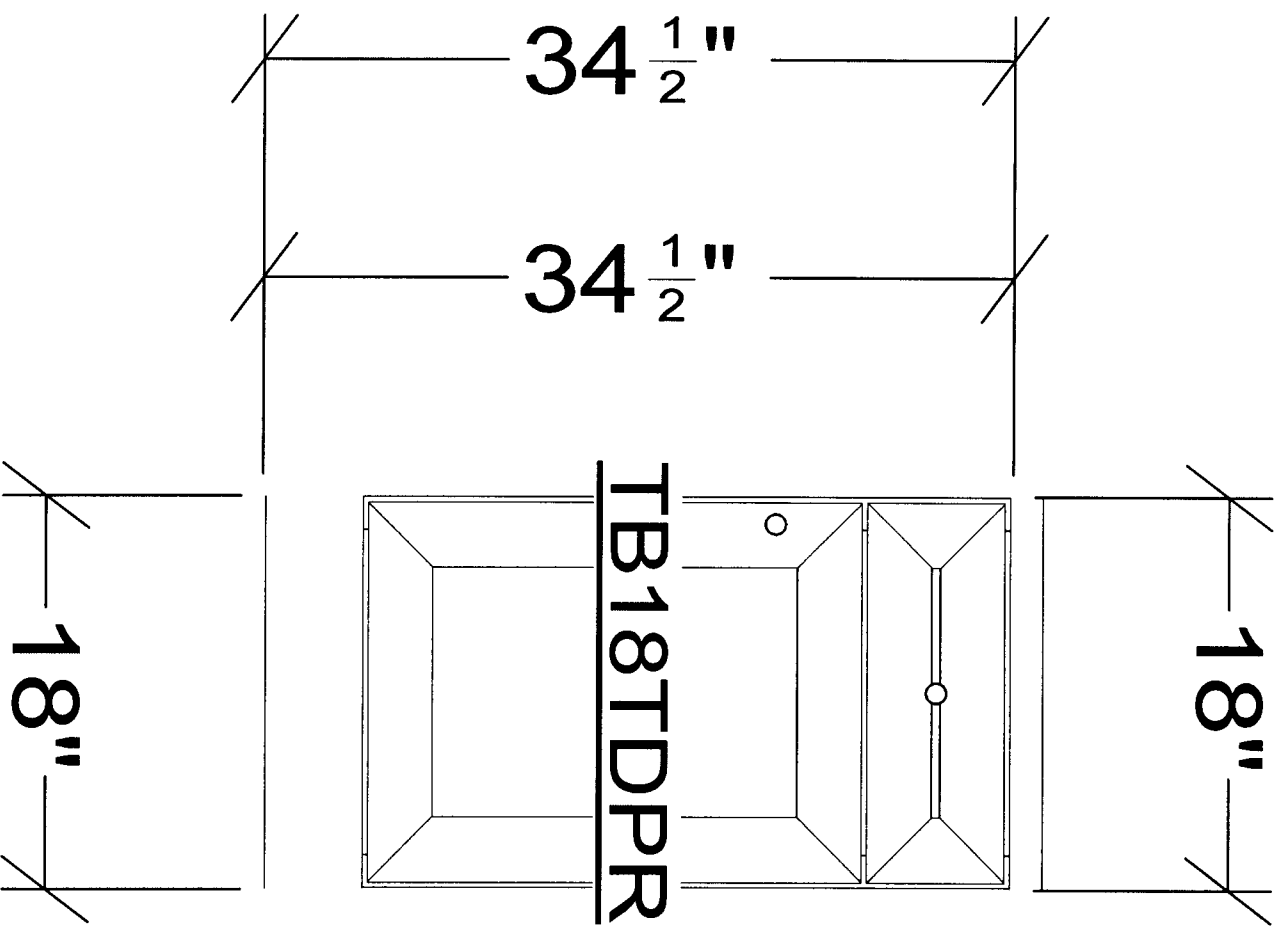
This is an original design and must not be released or copied unless applicable fee has been paid or job order placed. ~ KM ~

Designed: 10/17/2012
Printed: 10/22/2012

SAMMET KITCHEN REV 2.kit

EI 1/1

Drawing #: 1 No Scale.



All dimensions size designations given are subject to verification on job site and adjustment to fit job conditions. ~ KM ~



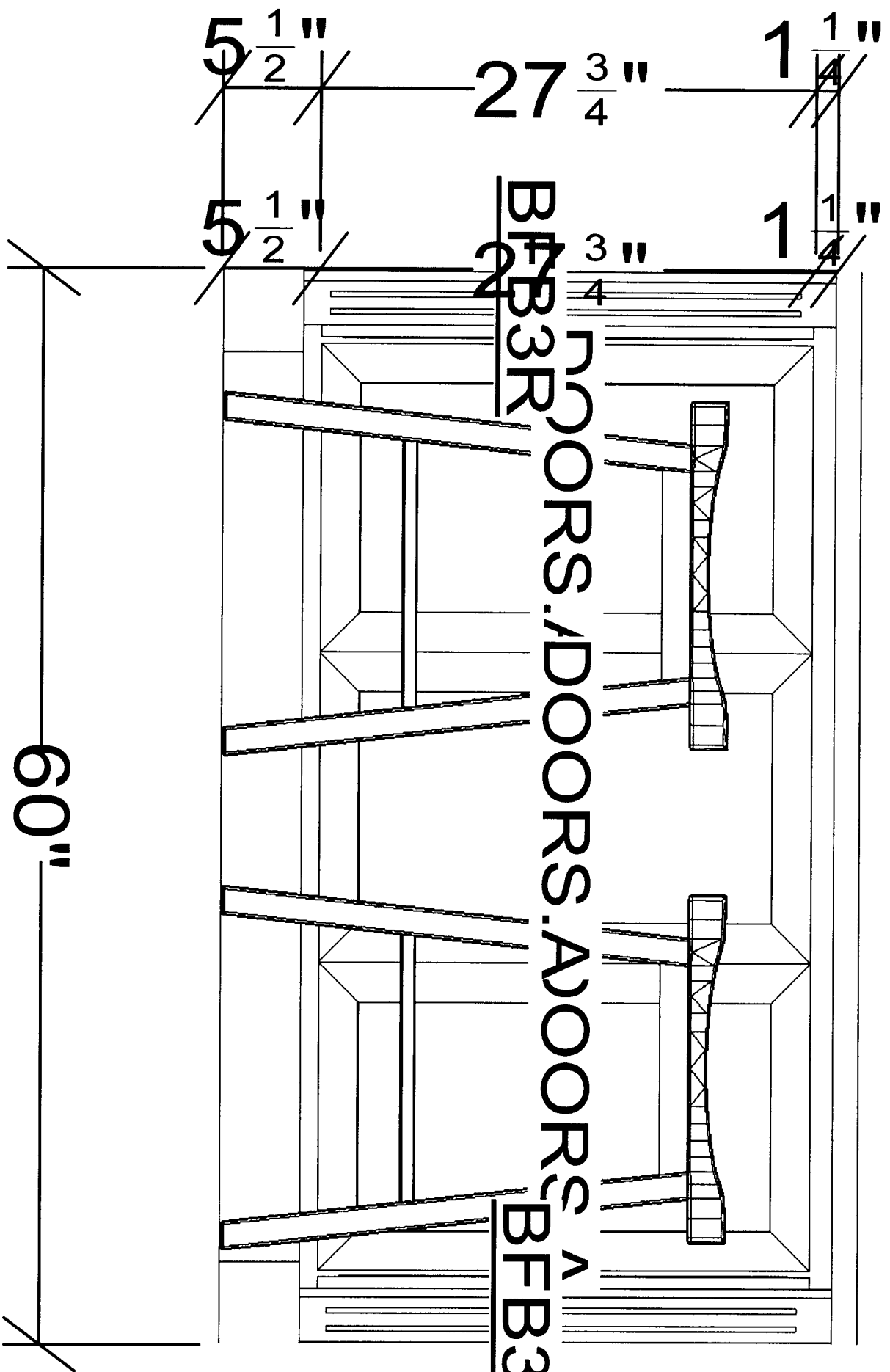
This is an original design and must not be released or copied unless applicable fee has been paid or job order placed. ~ KM ~

Designed: 10/17/2012
Printed: 10/22/2012

SAMMET KITCHEN REV 2.kit

EI IV1

Drawing #: 1 No Scale.



All dimensions, size designations given are subject to verification on job site and adjustment to fit job conditions. ~ KM ~



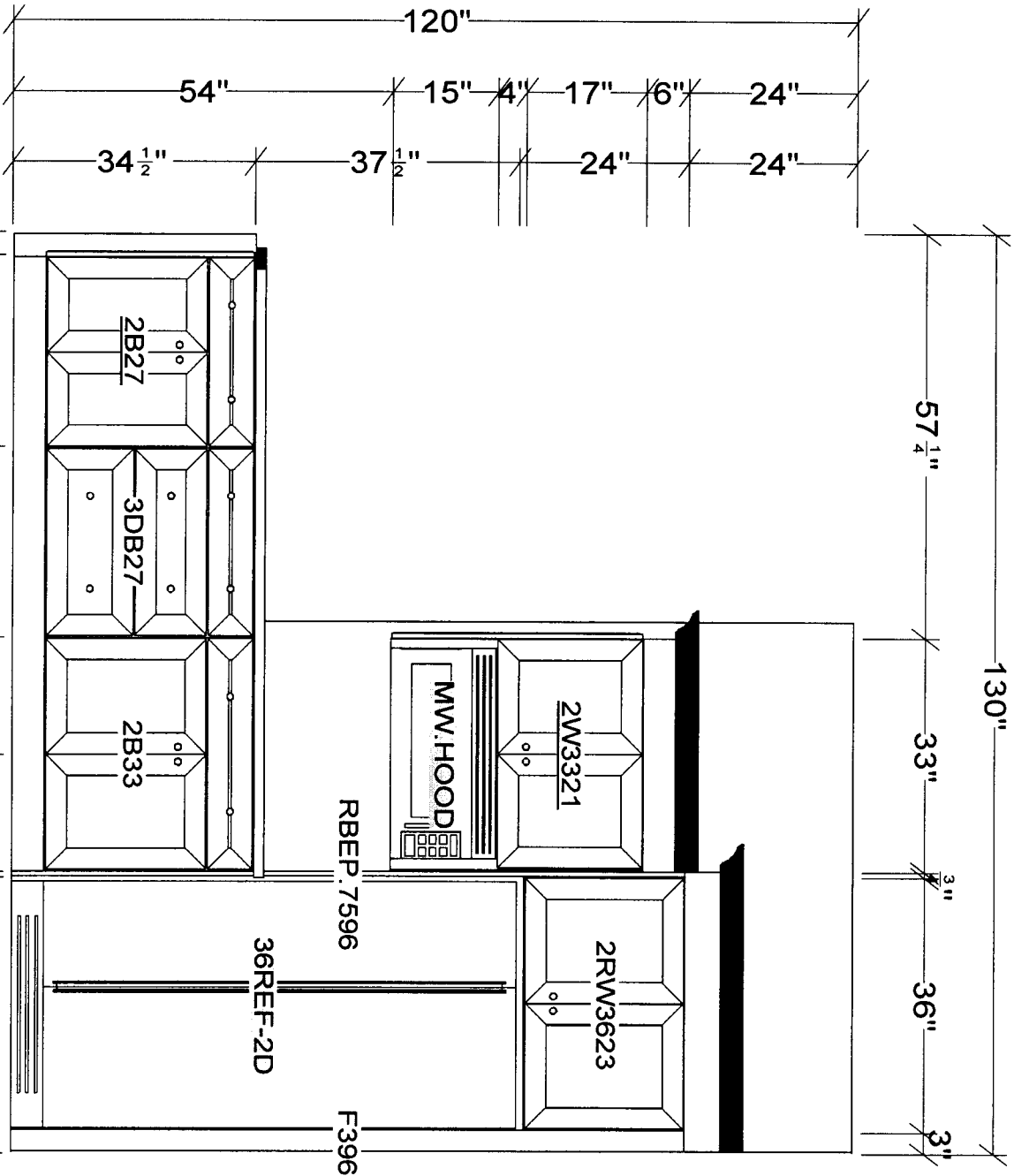
This is an original design and must not be released or copied unless applicable fee has been paid or job order placed. ~ KM ~

Designed: 10/17/2012
Printed: 10/22/2012

SAMMET KITCHEN REV 2.kit

EI 1V1

Drawing #: 1 No Scale.



57 1/4"

33"

36"

3"

130"

120"

54"

34 1/2"

37 1/2"

15"

4"

17"

6"

24"

24"

24"

3 1/4"

27"

27"

33"

35 7/16"

39"

73 3/4"

20 13/16"

All dimensions, size designations given are subject to verification on job site and adjustment to fit job conditions. ~ KM ~



This is an original design and must not be released or copied unless applicable fee has been paid or job order placed. ~ KM ~

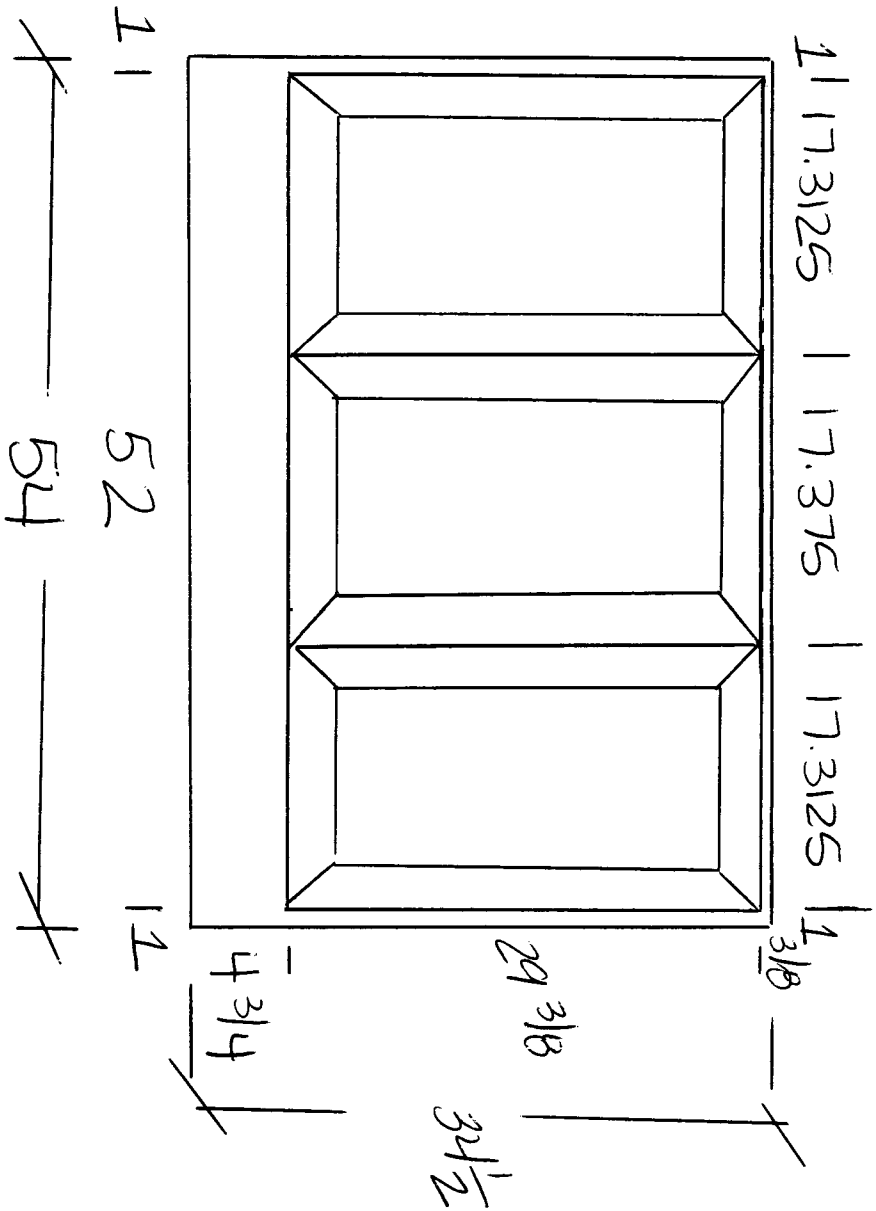
Designed: 10/17/2012
Printed: 10/22/2012

SAMMET KITCHEN REV 2.kit

E1 2

Drawing #: 1 No Scale.

* THIS IS FOR YOU *



DRAW EDITOR

CABINET

MODS

SPECIE STAIN

FINISHED ENDS L R FLSH L R

DEPTH HEIGHT WIDTH

QTY. SHELVES FIXED ADJUSTABLE

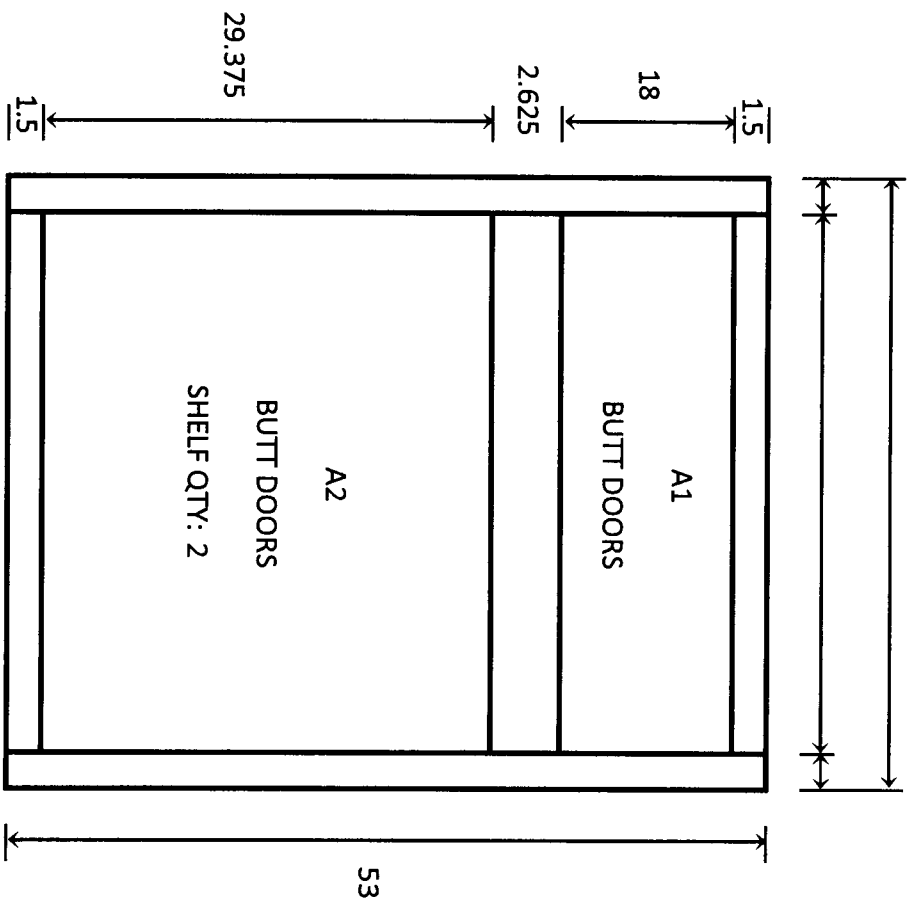
INTERIOR

HINGE L R

OVERLAY T I


INSET I

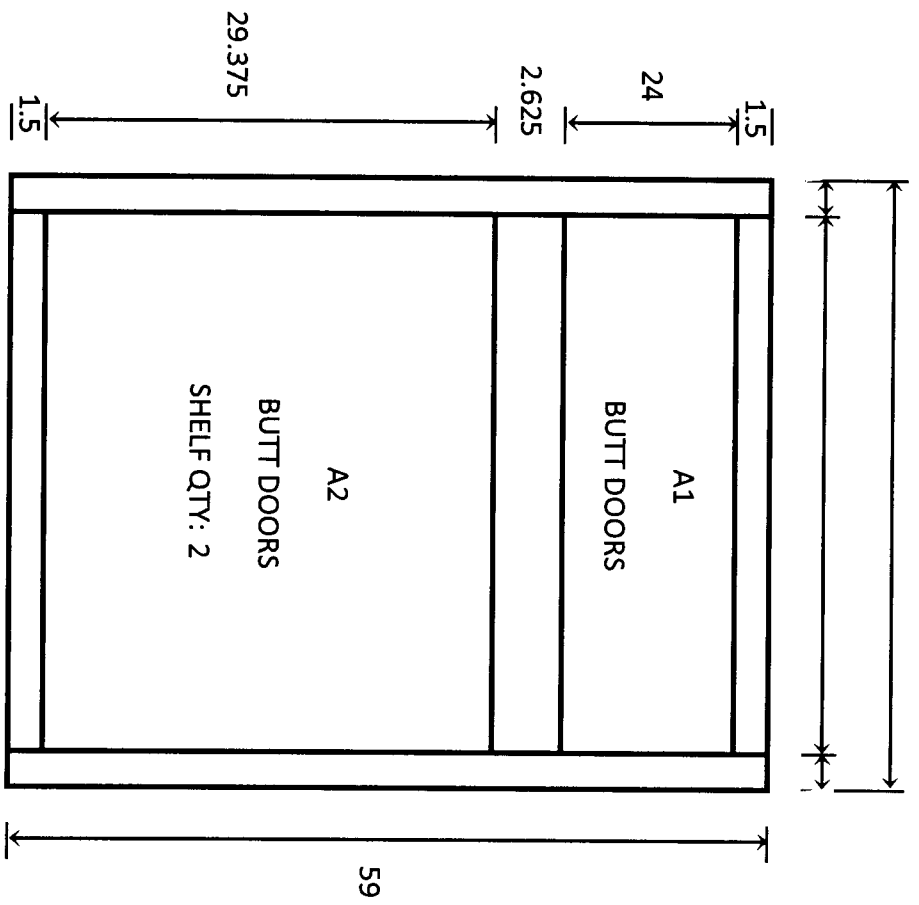





NOTES: DRAWING NOT TO SCALE
 THESE ARE WHAT THE OPENINGS
 WILL BE AT 53 HIGH.

IF THE CUSTOMER WOULD LIKE DIFFERENT
 OPENING YOU CAN JUST LET ME KNOW
 WHAT THEY WOULD LIKE.

ORDER #:	DRAW #:
CAB DESCRIPTION: STW	
EMPLOYEE: KM/CDC	
CHANGE DATE:	



NOTES: DRAWING NOT TO SCALE
 THESE ARE WHAT THE OPENINGS
 WILL BE AT 59 HIGH. I WILL ALSO INSTALL
 1 SHELF IN THE UPPER OPENING AS WELL.
 IF THE CUSTOMER WOULD LIKE DIFFERENT
 OPENING YOU CAN JUST LET ME KNOW
 WHAT THEY WOULD LIKE.

ORDER #:	DRAW #:
CAB DESCRIPTION: STW	
EMPLOYEE: KM/CDC	
CHANGE DATE:	